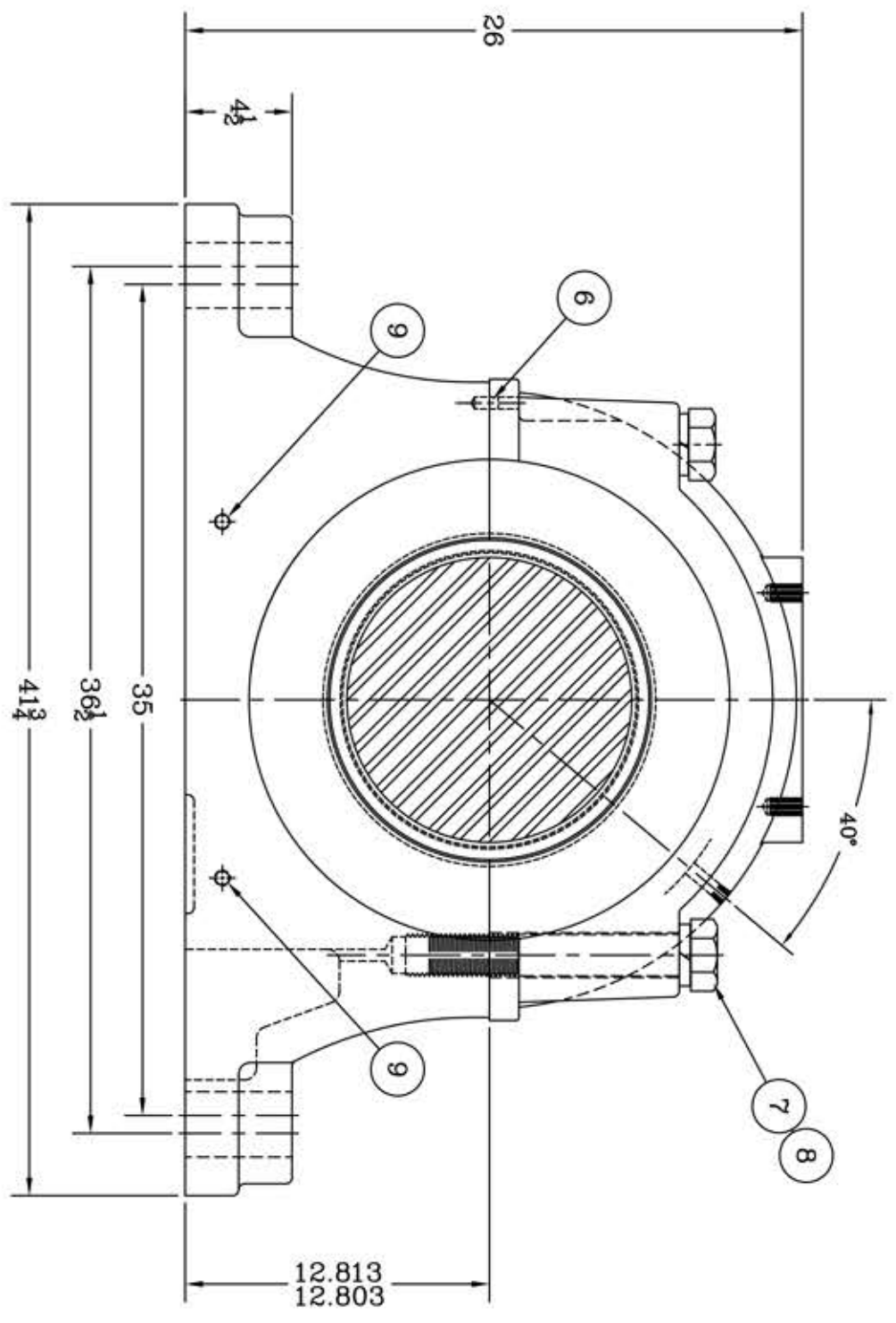
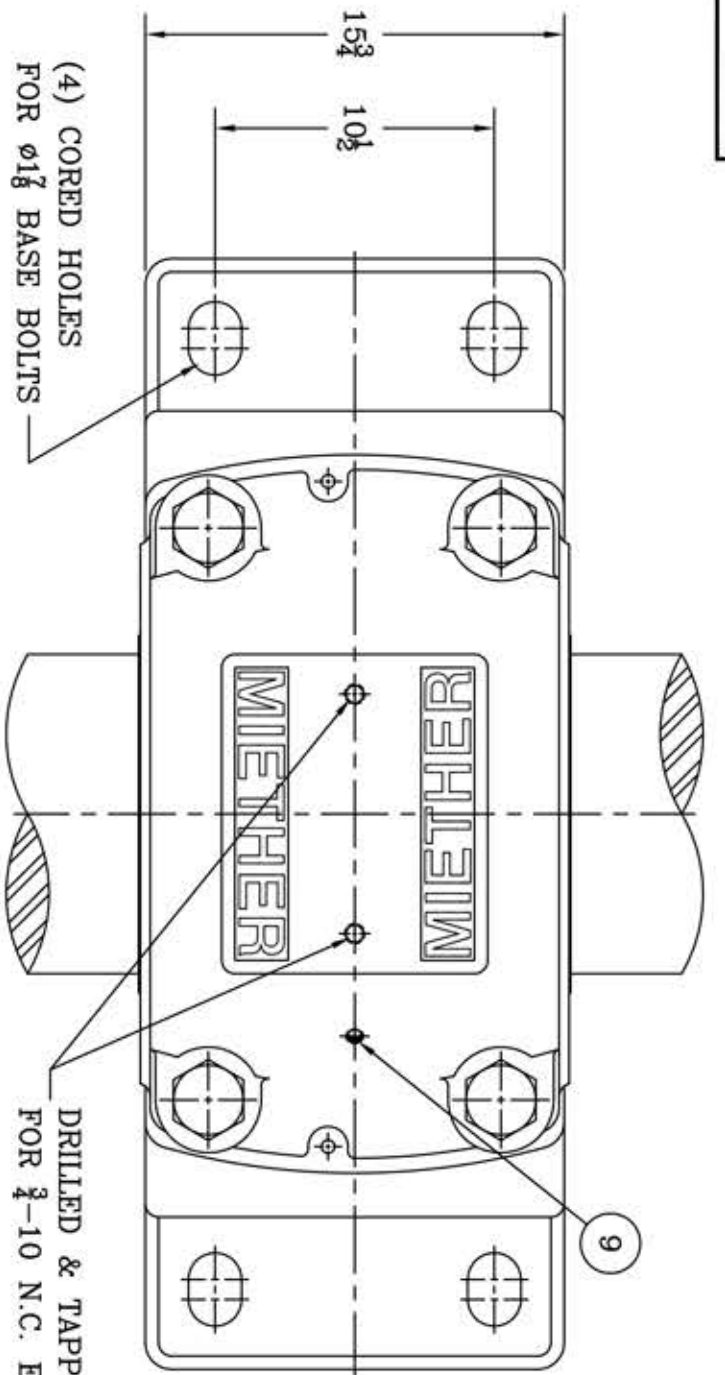
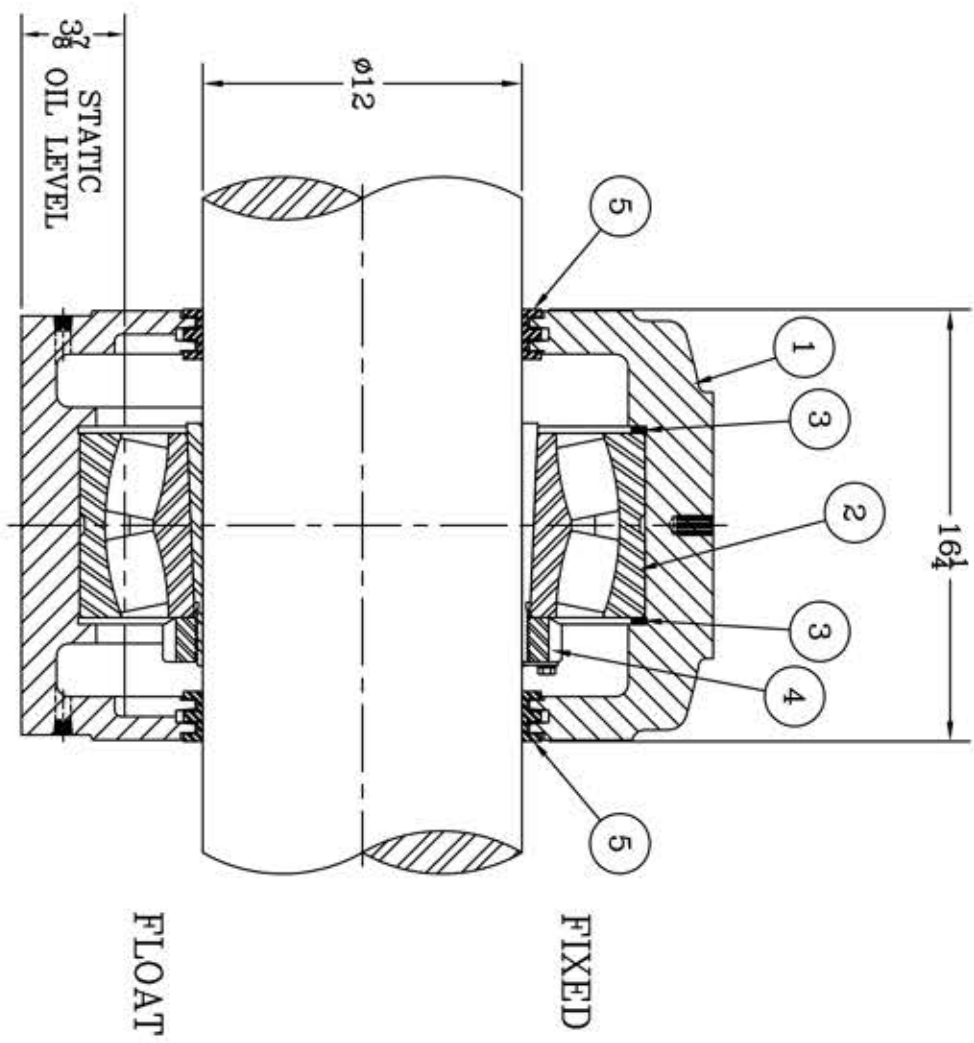


This drawing is the sole property of Miether Bearing Products and contains confidential and proprietary information. It is being provided to you for your use and may not be disclosed to any third party or used for any other purpose without Miether's prior written consent. The [materials] must be returned to the Company upon its demand. Your acceptance of these materials constitutes your acceptance of the foregoing terms.

C-35299



ITEM	DESCRIPTION	DETAIL	REQUIRED
1	HOUSING SDAFD 3164K 12-00	C-	1 1
2	SPHERICAL ROLLER BEARING	23164K/W-33	1 1
3	STABILIZING RING A-8970-2	A-29630	2 0
4	ADAPTER SNP 3164 12-00	24343	1 1
5	TRIPPLE SEAL RING ER-884	A-12085	2 2
6	DOWEL	1/2 x 1" LONG	2 2
7	CAP BOLT HEX. HEAD GR.5	1 1/2-5 NC x 1 1/2" LONG	4 4
8	LOCKWASHER	1 1/2 SPLIT MED.	4 4
9	PIPE PLUG	3/8-18 NPT	5 5



HOUSING MATERIAL - DUCTILE IRON
ASTM A536 GR 65-45-12

REVISIONS

SYMBOL	DESCRIPTION
C	16
D	32
E	63
F	125
G	250
J	500
K	1000

TOLERANCE: UNLESS OTHERWISE SPECIFIED
FRACTIONS +- 1/32" ANGLES +- 0° 30'
DECIMALS +- .005" WELD +- 1/16"
CASTING +- 1/16"

A.I.S.I. STANDARD FINISHES



SDAFD 23164 K 12-00	ASSEMBLY NO.
ASSEMBLY DRAWING	
SCALE 1 = 5	ASSEMBLY NO.
DRAWN PCF	
DATE 1/9/13	DRAWING NO.
CHK:	C-35299